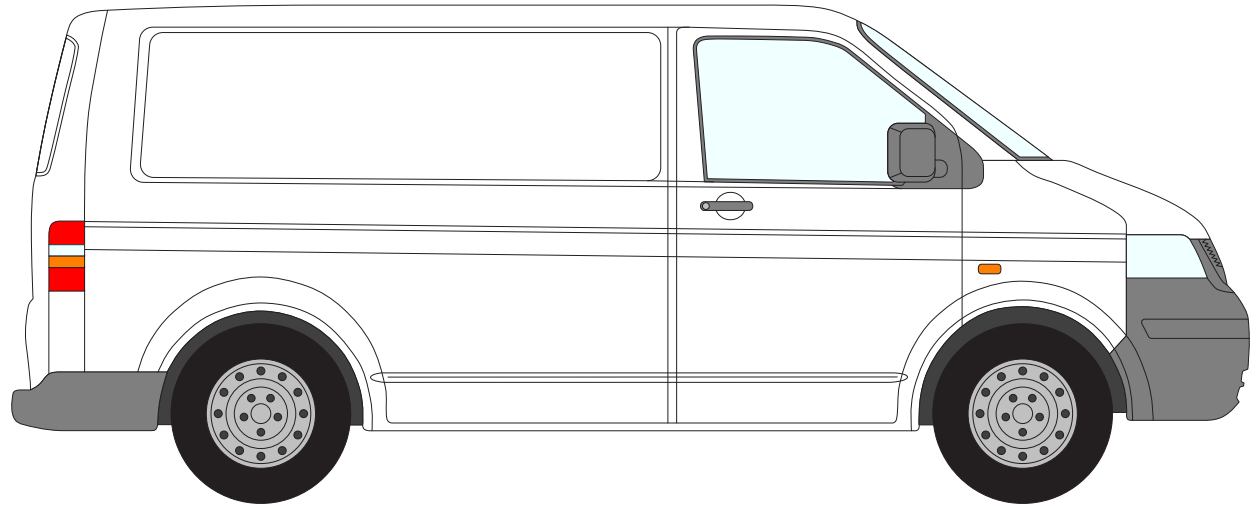
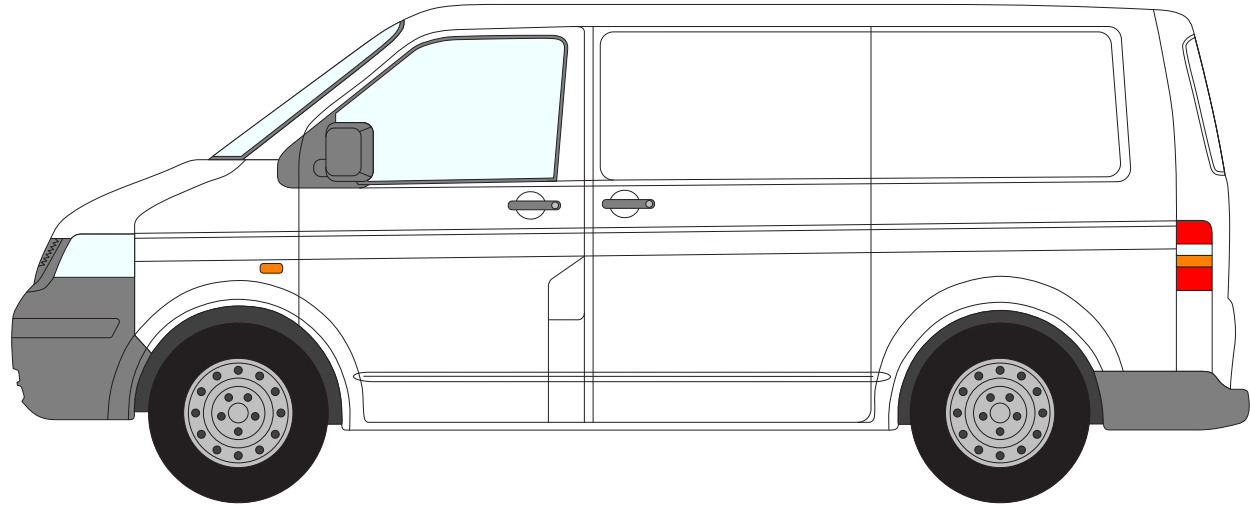
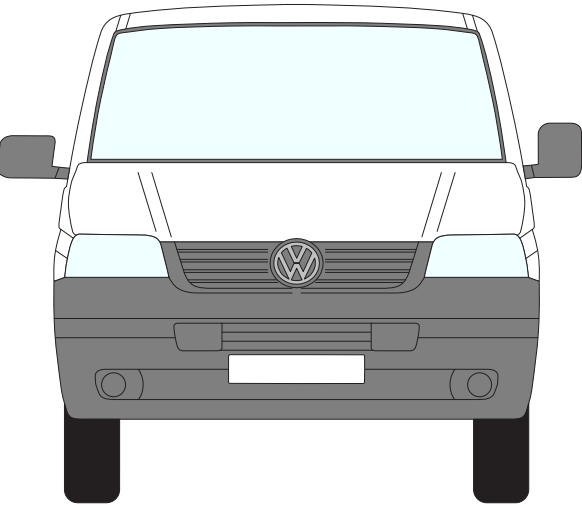


Company Name	Contact Name	Tel No:
Make & Model:	Vehicle Colour:	Email:



Please Indicate	X
Swb	<input type="checkbox"/>
Mwb	<input type="checkbox"/>
Lwb	<input type="checkbox"/>
Low Roof	<input type="checkbox"/>
Med Roof	<input type="checkbox"/>
High Roof	<input type="checkbox"/>
Rear Win	<input type="checkbox"/>
Crew Cab	<input type="checkbox"/>